

HABERSHAM COUNTY BOARD OF COMMISSIONERS

EXECUTIVE SUMMARY

SUBJECT: Purchase 2024 Lektro Aircraft Tug

DATE: April 4, 2024

RECOMMENDATION

POLICY DISCUSSION

BUDGET INFORMATION:

STATUS REPORT

ANNUAL-

OTHER

CAPITAL- \$59,225

COMMISSION ACTION REQUESTED ON: April 15, 2024

PURPOSE: To request Commission approval to purchase a 2024 Lektro Aircraft Tug for the Airport. In addition, we request a Budget Amendment to the Capital Improvement Fund Budget for an additional \$59,225 to facilitate this purchase.

BACKGROUND / HISTORY: The Airport Commission has recommended the purchase of and Lektro Aircraft Tug to the Board of Commissioners and feels like it is an immediate need for the Airport Operations to continue the excellent service that is being provided and to avoid any safety issues with stranded planes on the runways or taxiways. The County issued a Request for Proposals for one (1) 2024 Lektro AP8650AX Model Aircraft Tug. Siak Enterprise, LLC submitted a most advantageous proposal in the amount of \$59,225 to be paid of the Airport's FY2024 capital budget.

FACTS AND ISSUES:

- a. Siak Enterprise, LLC is the recommended vendor.
 - b. Funding will come from the Airport's FY2024 capital budget.
 - c. No lease/purchase option was provided.
-
-

OPTIONS:

- 1) Approve the purchase of a 2024 Lektro Aircraft Tug & GPU to SIAK Enterprise, LLC for the Airport along with the approval of the Budget Adjustment increasing the CIP Fund in the amount of \$59,225 for this purchase.
 - 2) Deny the purchase of a 2024 Lektro Aircraft Tug & GPU to SIAK Enterprise, LLC for the Airport along with the approval of the Budget Adjustment increasing the CIP Fund in the amount of \$59,225 for this purchase.
 - 3) Commission defined alternative.
-
-

RECOMMENDED SAMPLE MOTION: Move to approve the purchase of a 2024 Lektro Aircraft Tug & GPU to SIAK Enterprise, LLC for the Airport along with the approval of the Budget Adjustment increasing the CIP Fund in the amount of \$59,225 for this purchase.

DEPARTMENT:

Prepared by:

Director _____

**ADMINISTRATIVE
COMMENTS:**

DATE: _____

County Manager

Instructions to Bidders

General Information

The Habersham County Board of County Commissioners is soliciting proposals for one (1) 2024 Lektro Model AP8650AX Aircraft Tug or *Equivalent*. Please indicate below if bid meets requirements. A complete bid must include this check list.

Please provide a lease purchase option if available.

<u>Requirements</u>	<u>Yes</u>	<u>No</u>
2024 Model Aircraft Tug	<u> x </u>	<u> </u>
Make: <u> Lektro </u>		
Model: <u> AP8650AX </u>		
40,000 lb/18.143 kg Capacity	<u> x </u>	<u> </u>
Electronic Speed Control w/ Reverse Direction Braking & On-Board Diagnostics	<u> x </u>	<u> </u>
11.8 HP/36v DC Drive Motor	<u> x </u>	<u> </u>
Key Lock Switch	<u> x </u>	<u> </u>
Electronic Battery Monitor	<u> x </u>	<u> </u>
Dual Forward LED Spotlights & a ft LED Spotlight	<u> x </u>	<u> </u>
Four Flashing Amber LED Running Lights	<u> x </u>	<u> </u>
36 VDC, 40 Amp, 120 50/60 Hz, 1-Ph, Fully Automatic Charger	<u> x </u>	<u> </u>
Dual Passenger Operator's Platform w/ Side Restraints	<u> x </u>	<u> </u>
Heavy-Duty Two-Speed Hand Winch w/ Nylon Belt	<u> x </u>	<u> </u>
Four-Step Extension Ladder	<u> x </u>	<u> </u>



HABERSHAM COUNTY
GEORGIA | Est. 1818

Pricing Sheet
Request for Proposal
One (1) 2024 Lektro Model AP8650AX Aircraft Tug or Equivalent

Quoting Company: Siak Enterprise LLC
Company Representative: Irene Totera
Company Address: 901 Hampton Hill Court Lawrenceville, GA 30044
Company Phone Number: 678-580-0494

Please provide Price breakdown as indicated below:

Aircraft Tug Price: 56075.00
Other Equipment: _____
Deliver/Destination: 3150.00
Less Discounts/Incentives: ()
Price: 59225.00

Alternate Lease Purchase Option:

Please list pricing and leasing details as a separate alternative option

I agree to all terms and expectations of the above quote specification and hereby submit this as our official bid.

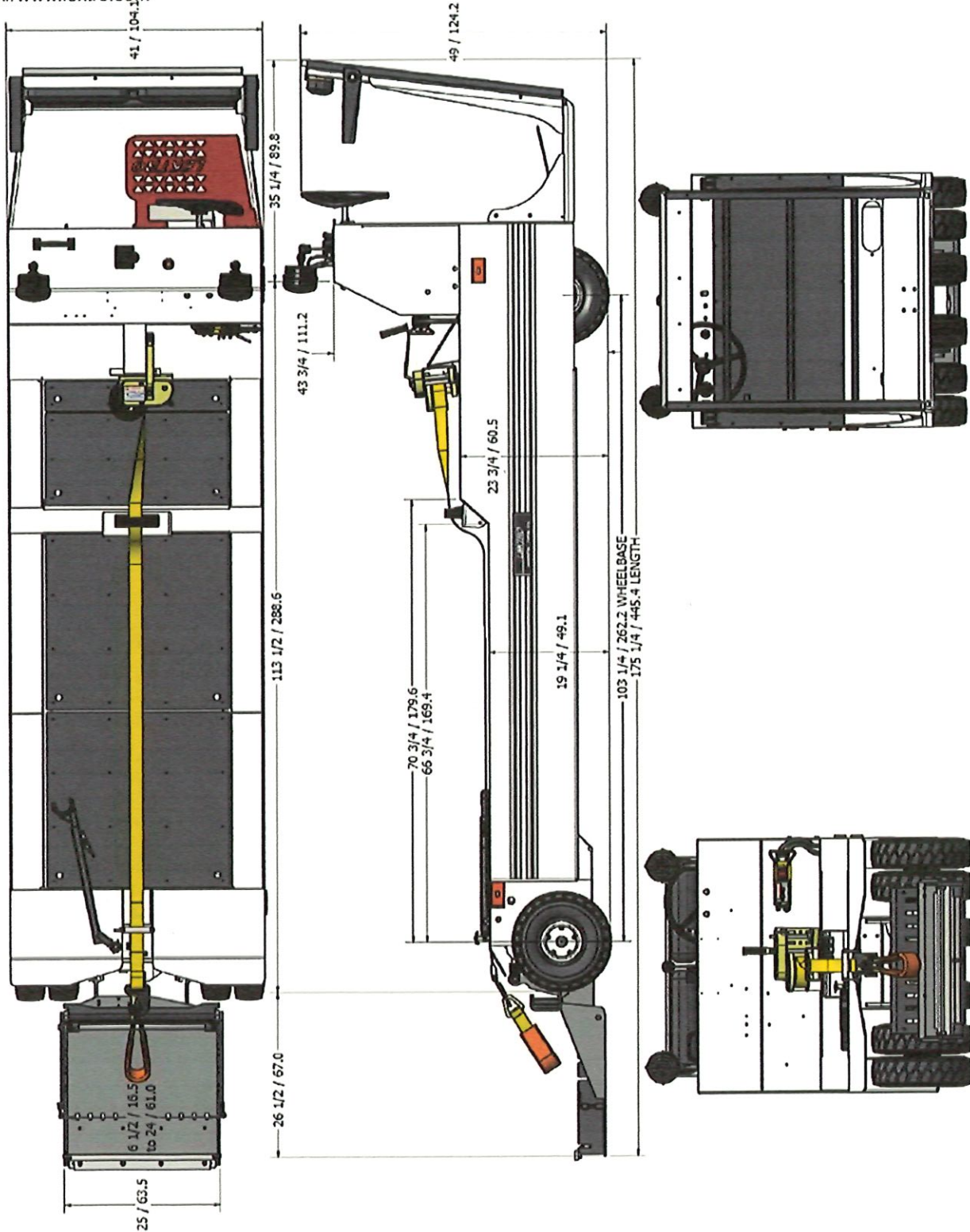
Irene Totera
Signature of authorized company representative

3/7/2024
Date

LEKTRO

1190 S.E. Flightline Drive, Warrenton, Oregon 97146-9692
1-800-535-8767 • 503-861-2288 • Fax 503-861-2283
E-mail: sales@lektro.com
http://www.lektro.com

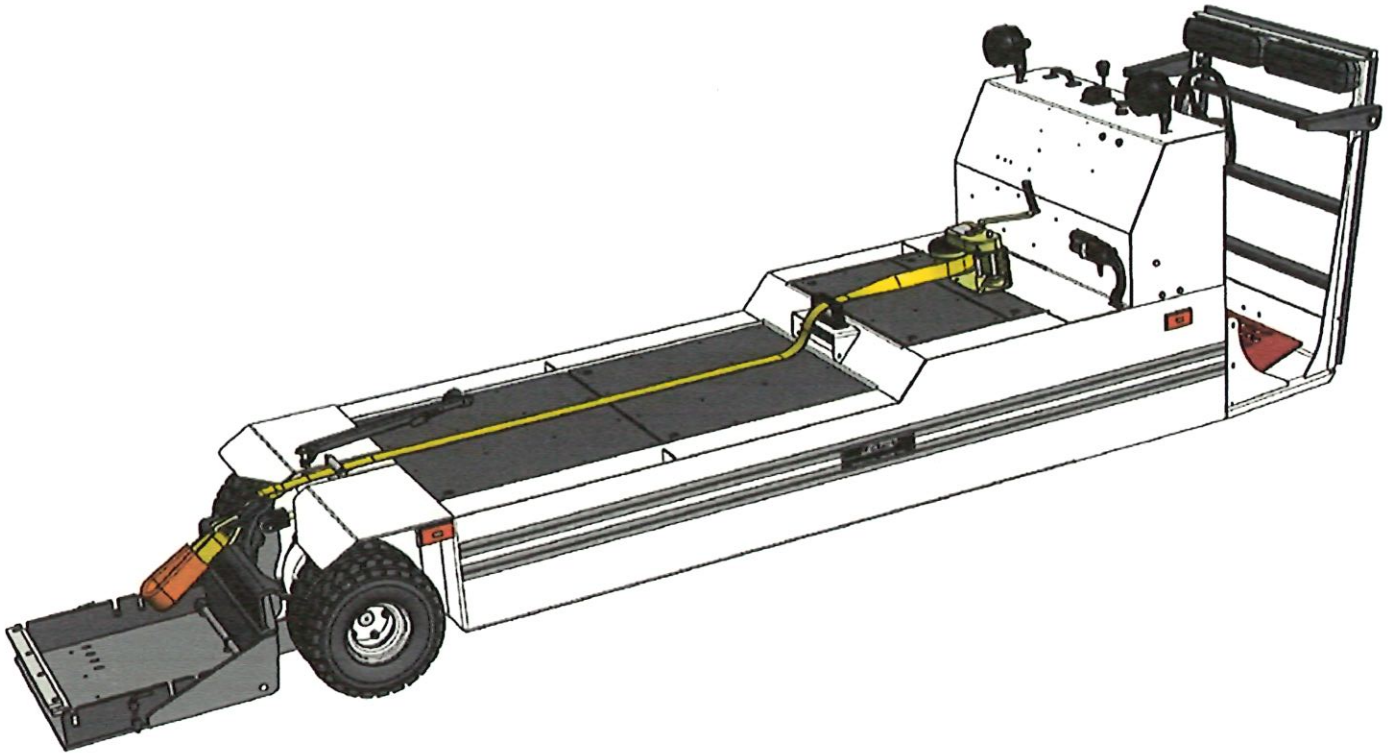
Model **AP8650AX**
AIRCRAFT TOWING VEHICLE
FOR AIRCRAFT UP TO 40,000 LBS/18,143 KG



LEKTRO

1190 S.E. Flightline Drive, Warrenton, Oregon 97146-9692
 1-800-535-8767 • 503-861-2288 • Fax 503-861-2283
 E-mail: sales@lektro.com
 http://www.lektro.com

Model **AP8650AX** AIRCRAFT TOWING VEHICLE FOR AIRCRAFT UP TO 40,000 LBS/18,143 KG



AP8650AX FEATURES:

Vehicle Drive: 11.8 HP/8.8 kW, 36 VDC Traction Motor mated with Dana 44 Differential. Limited Slip Differential, optional.

Motor Speed Control: EV-100 LX SCR with On-Board Diagnostics. Speed controlled by combination Hand Throttle/Directional Lever.

Batteries: Six 6 VDC, 350 AMP-HR Batteries (20 hr rate), wired in series. Single Point Watering System, optional.

GPU: Built-in 12/24/28 VDC / 800 CCA Motive/GPU Batteries. 1175 CCA, optional. An Independent 1175 CCA Battery and Charging System also optional.

Motive Battery Charger: External Fully Automatic 36 AMP DC / 110 VAC / 60 Hz / 1-PH Charger. 230 VAC / 50 Hz, optional.

Nose Gear Lift Cradle: Patented Universal Nose Gear Lift Cradle activated by an Electric/Hydraulic Pump Assembly capable of handling dual and single wheel aircraft, those with or without wheel fairings, and a Hold Down provision for light-nosed aircraft. Aircraft Selection System, optional.

Winch: Heavy-duty 2-speed Hand Winch. Winch and Strut Straps included. Hydraulic Winch with Automatic Safety Cut-Off, optional.

Steering: Automotive-type Wheel coupled to an Automotive Gear Box resulting in very responsive steering action.

Service Brakes: Foot Operated Hydraulic Disc-Type Service Brakes acting at Differential Pinion Shaft.

Parking Brake: Hand/Foot activated Electric Deadman Parking Brake.

Drive Tires: Dual 4.80/4.00 x 8 8-ply Pneumatic Traction Tread. Poly-Foam and Chains, optional.

Steer Tires: Dual 4.80/4.00 x 8 8-ply Pneumatic Traction Tread. Poly-Foam and Steer Axle Suspension, optional.

Lighting: Dual 360° Rotating Spotlights mounted on Cowl, One Rear Headlight mounted on Back of Operator's Platform and Four Flashing Amber Running Lights. LED Bulbs, optional.

Extension Ladder: Step Ladder attached to operator's back rest.

Operator's Compartment: Two person configuration, Stand-Up Operation with Restraint.

Construction: Welded Steel Plate and Polymers preserved by Primer and Automotive High-Gloss Red or White Enamel Paint with special protective Polyurethane Coating to prevent rust, scratches and corrosion. Custom colors, optional.

SPECIFICATIONS:

Length.....	175.25 in / 445.4 cm
Width	41.0 in / 104.1 cm
Height (at top of steering wheel).....	49 in / 124.2 cm
Turning Radius	151.5 in / 384.8 cm
Wheel Base	103.25 in / 262.2 cm
Vehicle Speed, Empty	6.8 MPH / 10.9 KPH
Vehicle Speed, Loaded (To max. Vehicle Capacity)....	4.1 MPH / 6.6 KPH
**Lift Cradle Capacity	4000 LBS / 1814 KG
Nose Gear Cradle Lifting Height.....	9 in / 23 cm
Ground Clearance	3.5 in / 9 cm
Shipping Weight w/ Batteries & Charger	2870 LBS / 1302 KG

**Lift Capacity is calculated with 14 in / 36 cm diameter aircraft tire in lift cradle. Aircraft tire centerline at 18.5 in / 47 cm from drive tire centerline.

ADDITIONAL OPTIONS:

Draw Bar Pin, Specialized Aircraft Towing Adapters and Custom Highlift Adapters are available (consult factory). Illustration may show some optional equipment.

*LEKTRO reserves the right to make changes and improvements in products and specifications without notice or obligation.

PATENT Nos. 5,151,003 / 5,302,075 / 9,067,691.

Other Patents Pending.

07/15